



High Vacuum Valves
Leader in Quality and Value

Ball Valve Series

Stainless Steel Ball Valves

HVA ball valves are the best choice for isolating gauges, foreline traps, abatement scrubbers, vacuum coating roughing lines, food processing lines and many more industrial applications.

Easy In-Situ Maintenance - Performed without disconnecting the valve from the system

Blow-Out Proof Stem - Assures safety under high pressure conditions

Maximum Conductance - Offers full bore in the open position

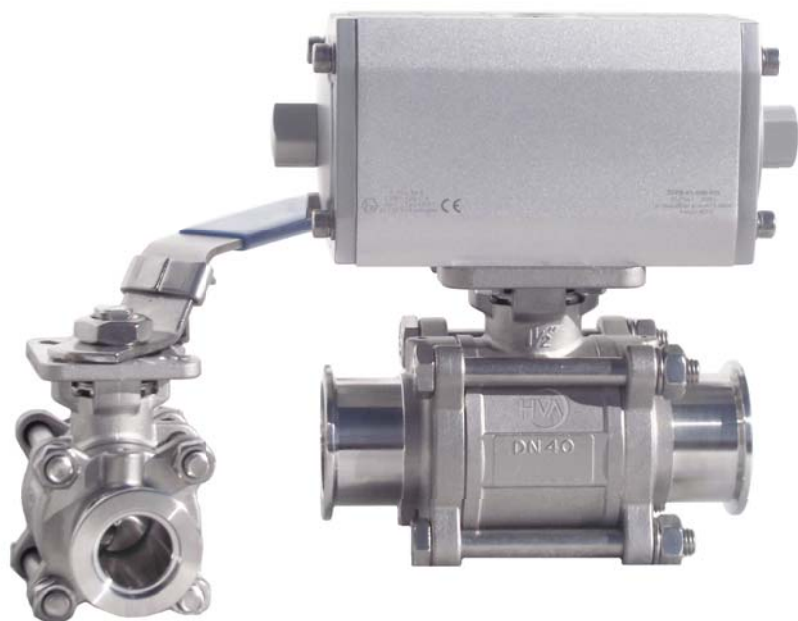
Increased Service Intervals - Due to precision ball/seat design

Harsh and Corrosive Environments - Designed to withstand your harshest and most corrosive processes

High Quality 316L Stainless Steel - All wetted components

Fluoroelastomers - Guarantee vacuum tight sealing

PTFE Wiper - Removes any particulate from the ball



Standard Technical Specifications

Materials

Body/stem/ball/end caps	316L stainless steel
Seat/gasket/stem packing	PTFE
Other components	304L stainless steel

Vacuum

Pressure range	1 x 10 ⁻⁸ mbar
Helium leak rate	< 1 x 10 ⁻⁸ mbar l/s
Differential pressure	100 PSI

Temperature

Standard operating	-20°C to 150°C
Intermittent	Up to 200°C

Mechanism

Manual	Easy turn handle
Pneumatic air service	80 to 120 psi
(Fail safe option: air to open / spring to close)	

Connections

KF, ISO, weld tube

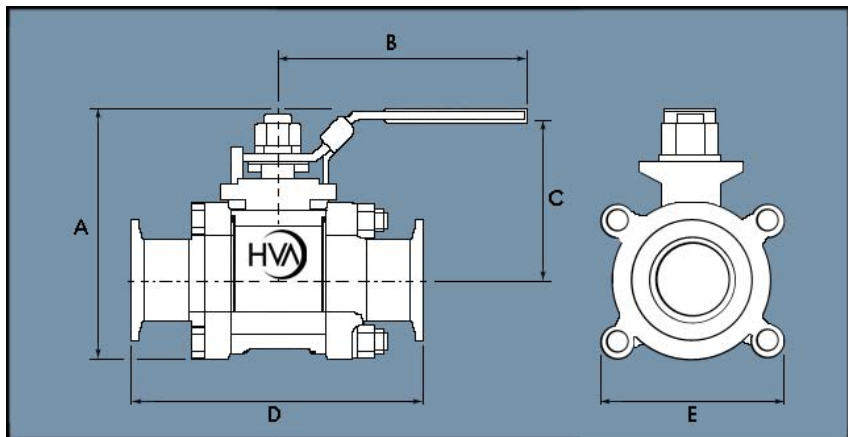


High Vacuum Valves
Leader in Quality and Value

Ball Valve Series

Stainless Steel Ball Valves

Manual KF/ISO-K Dimensions



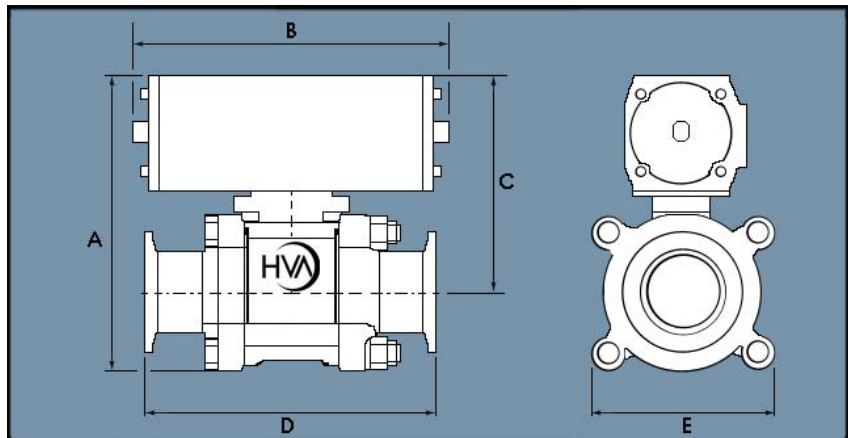
DN	mm	10	16	25	40	50	63	80	100
	inch	0.40	0.625	1.00	1.50	2.00	2.50	3.00	4.00
A	mm	96.00	96.00	115.00	135.00	154.00	190.00	210.00	240.00
	inch	3.77	3.77	4.50	5.30	6.05	7.48	8.27	9.45
B	mm	143.00	143.00	165.00	187.00	187.00	310.00	310.00	400.00
	inch	5.63	5.63	6.50	7.36	7.36	12.20	12.30	15.75
C	mm	72.00	72.00	92.00	109.00	117.00	127.00	135.00	165.00
	inch	2.83	2.83	3.62	4.29	4.61	5.00	5.31	6.50
D	mm	89.00	89.00	119.00	147.00	182.00	197.00	229.00	243.00
	inch	3.50	3.50	4.70	5.80	7.20	7.76	9.01	9.57
E	mm	46.00	46.00	56.00	76.00	89.00	127.00	163.00	206.00
	inch	1.80	1.80	2.22	3.00	3.50	5.00	6.40	8.10



Ordering Guide - Manual

mm	DN	inch	Model Number KF/ISO-K	Model Number Weld Tube
10		.40	BLM-0043	BLM-004X
16		.625	BLM-0063	BLM-006X
25		1.0	BLM-0103	BLM-010X
40		1.5	BLM-0153	BLM-015X
50		2.0	BLM-0203	BLM-020X
63		2.5	BLM-0256	BLM-025X
80		3.0	BLM-0306	BLM-030X
100		4.0	BLM-0406	BLM-040X

Pneumatic KF/ISO-K Dimensions



DN	mm	10	16	25	40	50	63	80	100
	inch	0.40	0.625	1.00	1.50	2.00	2.50	3.00	4.00
A	mm	112.00	112.00	147.00	187.00	203.00	241.00	394.00	434.00
	inch	4.43	4.43	5.80	7.40	8.00	9.50	15.50	17.10
B	mm	135.00	135.00	155.00	182.00	182.00	305.00	305.00	305.00
	inch	5.33	5.33	6.10	7.20	7.20	12.00	12.00	12.00
C	mm	89.00	89.00	119.00	150.00	156.00	228.00	312.00	330.00
	inch	3.51	3.51	4.70	5.90	6.15	9.00	12.30	13.00
D	mm	89.00	89.00	119.00	147.00	182.00	197.00	229.00	243.00
	inch	3.50	3.50	4.70	5.80	7.20	7.76	9.01	9.57
E	mm	46.00	46.00	56.00	76.00	89.00	127.00	163.00	206.00
	inch	1.80	1.80	2.22	3.00	3.50	5.00	6.40	8.10



Ordering Guide - Pneumatic

mm	DN	inch	Model Number KF/ISO-K*	Model Number Weld Tube*
10		.40	BLP-0043	BLP-004X
16		.625	BLP-0063	BLP-006X
25		1.0	BLP-0103	BLP-010X
40		1.5	BLP-0153	BLP-015X
50		2.0	BLP-0203	BLP-020X
63		2.5	BLP-0256	BLP-025X
80		3.0	BLP-0306	BLP-030X
100		4.0	BLP-0406	BLP-040X

*BLS for fail safe option (spring-to-close)