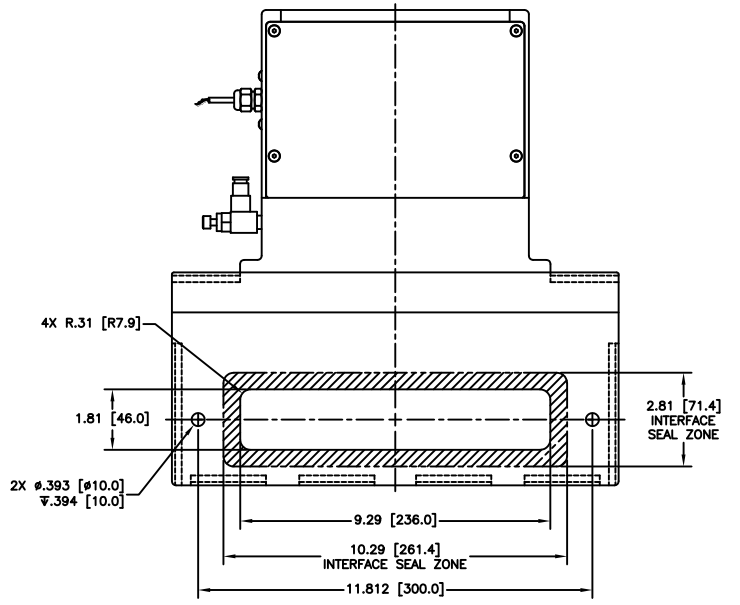
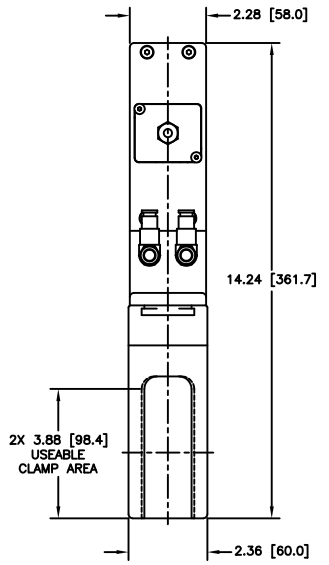
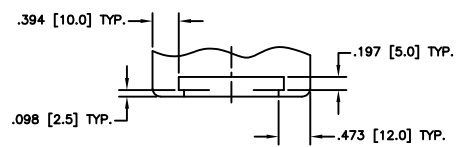
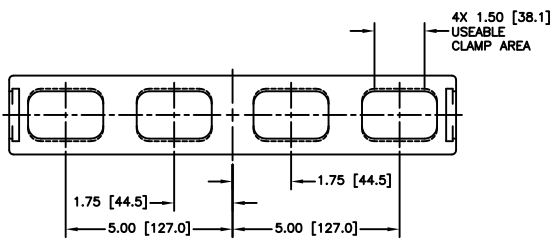


GATE (SEAL) SIDE



CARRIAGE SIDE



DETAIL A
SCALE 2:1
ROTATED 90°



12880 MOYA BLVD. RENO, NV 89506

OUTLINE DIMENSION DRAWING

DRAWING NUMBER	DRAWING TITLE	REVISION
936502HAK-B	GR 46 X 236, MESC, CLMP, AL, RS MODEL #88212-0209RXX	B