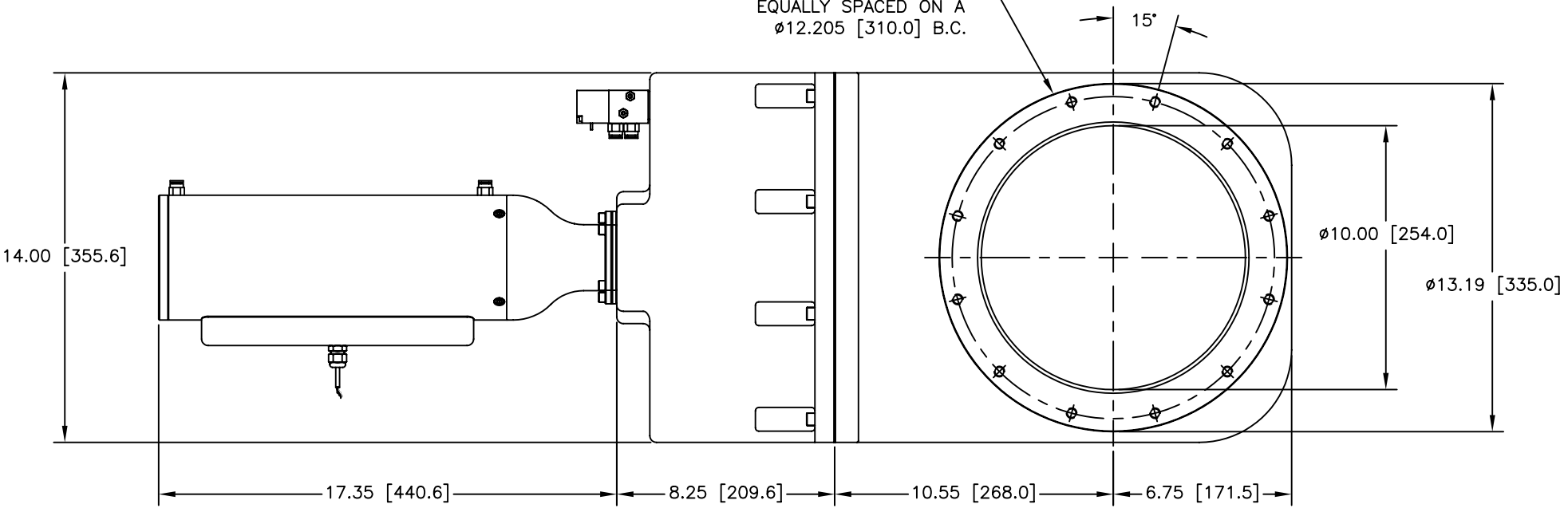
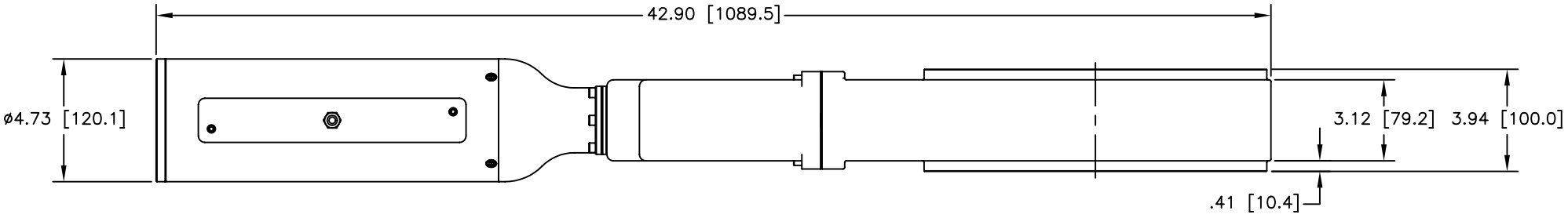


2X FLG ISO NW250
 G 10.0" BOLTED
 12X M10 X 1.5 HELICOIL
 15MM LG
 EQUALLY SPACED ON A
 $\phi 12.205$ [310.0] B.C.



GATE (SEAL) SIDE



12880 MOYA BLVD., RENO, NV 89506

OUTLINE DIMENSION DRAWING

DRAWING NUMBER	DRAWING TITLE	REVISION
13134-2AV	G 10.0" ALUM RSTD/PNU/ISO BOLT MODEL #81212-1003R	A