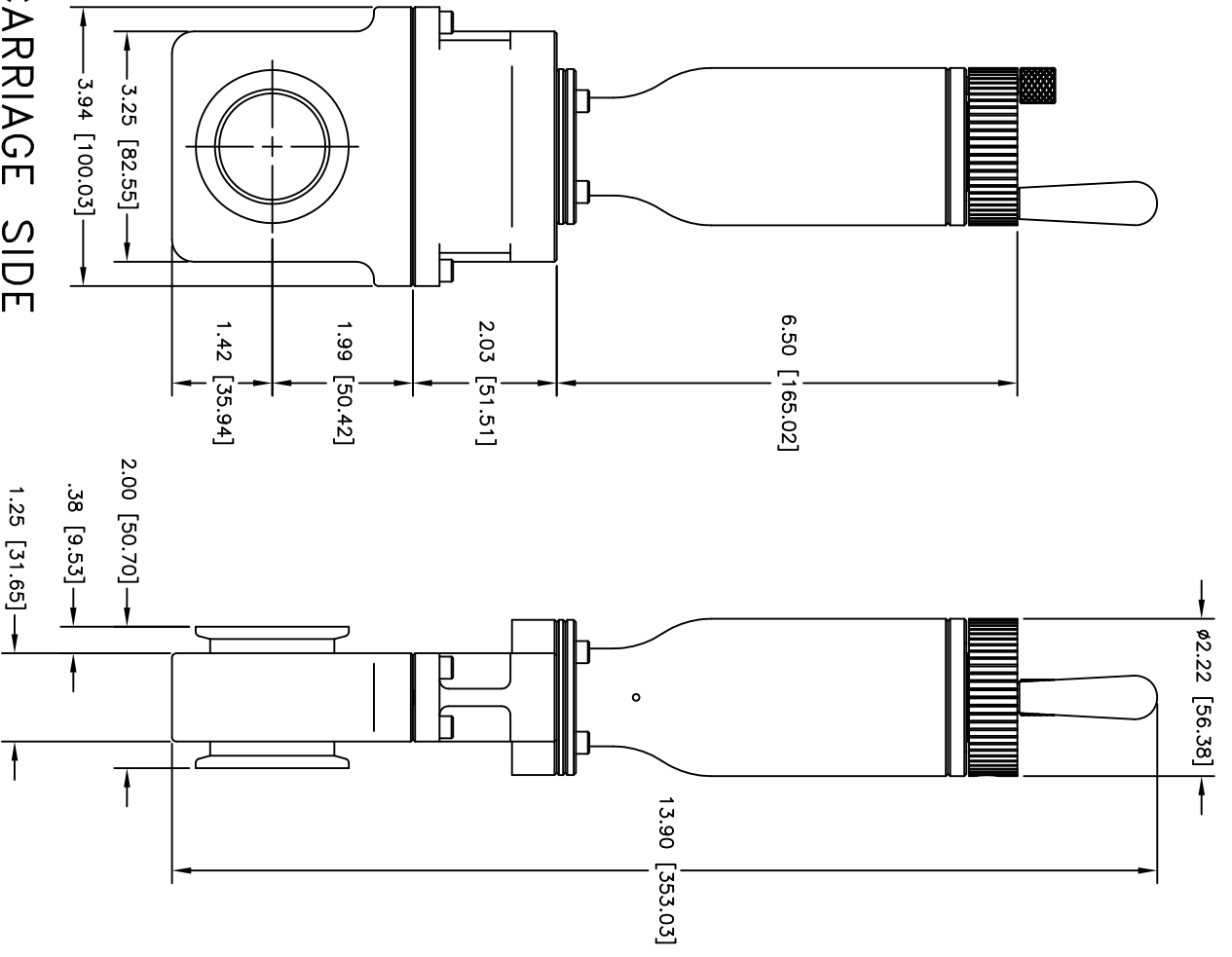
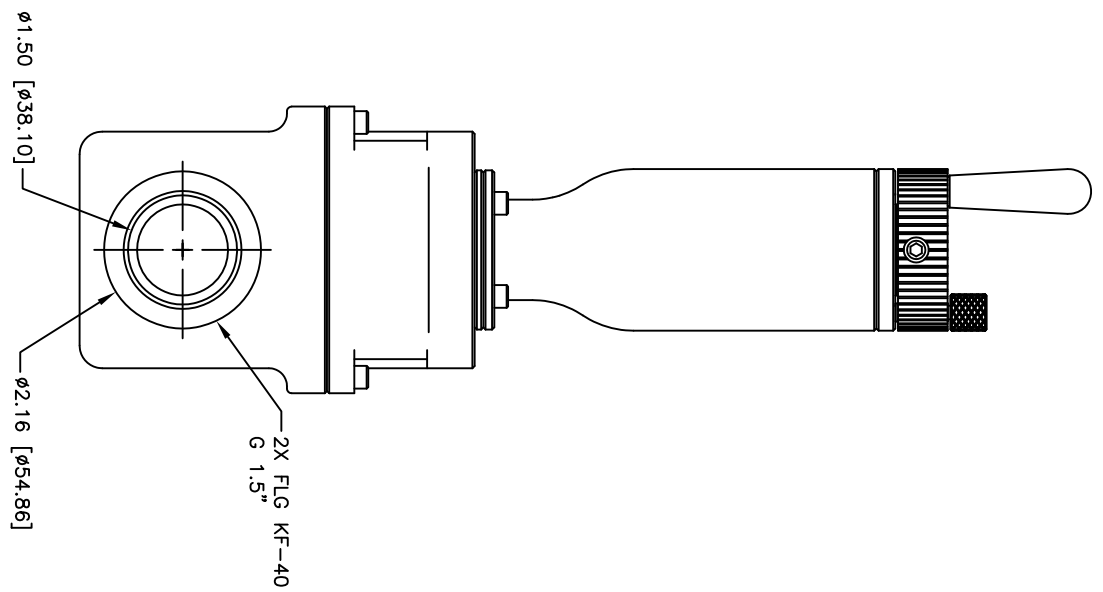


**CARRIAGE SIDE**



**GATE (SEAL) SIDE**



**OUTLINE DIMENSION DRAWING**

DRAWING NUMBER

13106-3AT

DRAWING TITLE

G 1.5" ALUM/RSTD/MAN/KF-40  
MODEL #81110-0153

REVISION

A



12880 MOYA BLVD., RENO, NV 89506