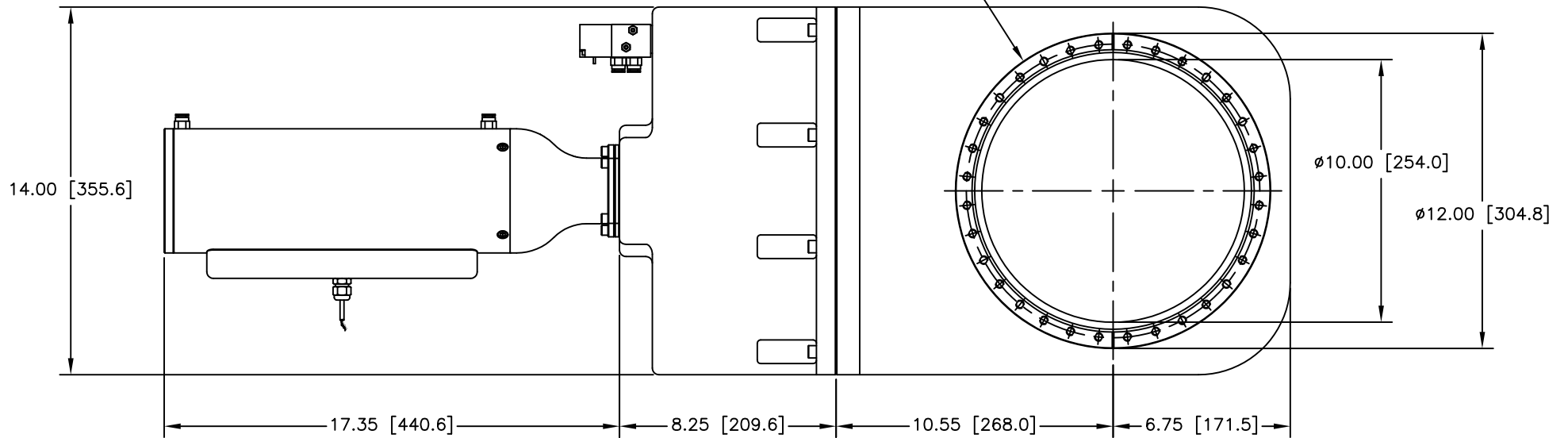
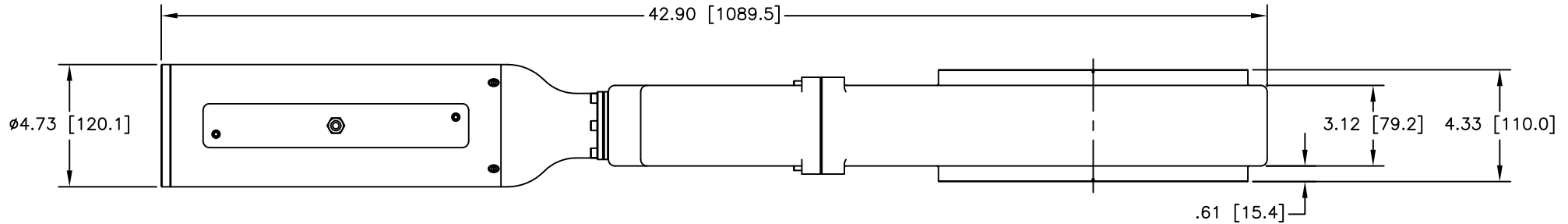


2X FLG CFF 12.0 X 10.0  
 32X 5/16-24 UNF HELICOIL  
 .625 LONG  
 EQUALLY SPACED ON A  
 $\phi$ 11.180 [283.97] B.C.



GATE (SEAL) SIDE



## OUTLINE DIMENSION DRAWING



12880 MOYA BLVD., RENO, NV 89506

DRAWING NUMBER

13134-2AX

DRAWING TITLE

G 10.0" ALUM RSTD/PNU/CFF  
 MODEL #81212-1000R

REVISION

A