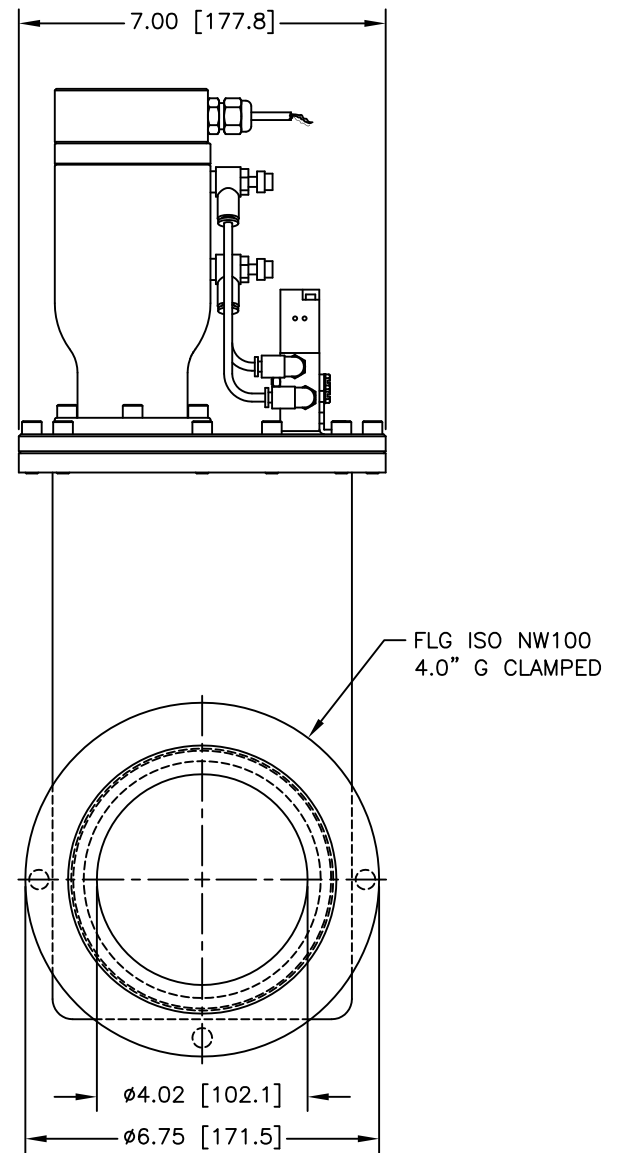
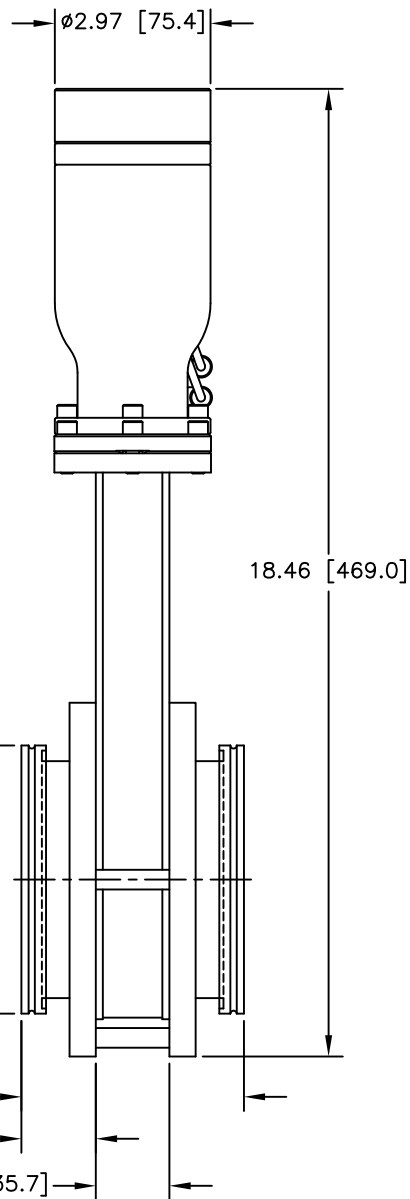


CARRIAGE SIDE



GATE (SEAL) SIDE



12880 MOYA BLVD., RENO, NV 89506

OUTLINE DIMENSION DRAWING

DRAWING NUMBER

5729-2AW

DRAWING TITLE

G 4.0" LSTD/PNU/ISO CLAMPED
MODEL # 21212-0406R

REVISION

A